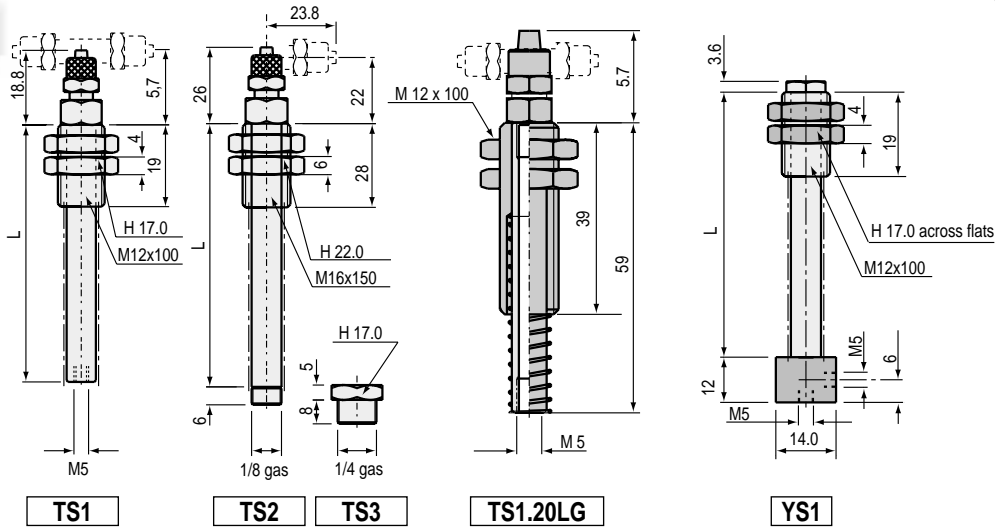
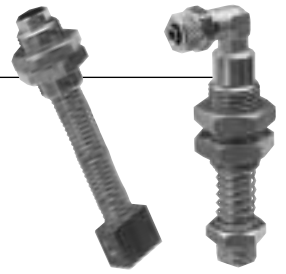


Spring systems, series TS and YS



Applications:

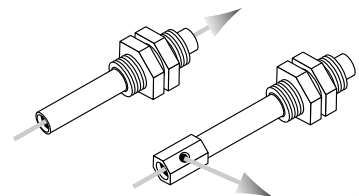
Compensated spring systems in series TS and YS are recommended for the horizontal handling of parts at different levels. The spring function also ensures that the gripping points are applied on the same plane during gripping by multiple suction cups.

Characteristics:

Models	TS1	TS1	TS1	TS1.20 LG	TS1	TS2	TS2	TS2	TS2	TS3	TS3	TS3	TS3	YS1	YS1	YS1	YS1
Stroke (mm)	05	10	20	20	30	10	30	50	70	10	30	50	70	5	10	20	30
L (mm)	29	39	59	59	79	48	88	128	168	48	88	128	168	29	39	59	79
Spring force N/mm	0.36	0.15	0.07	0.07	0.045	0.9	0.2	0.115	0.08	0.9	0.2	0.115	0.08	0.36	0.15	0.07	0.045
Force at rest N	1.00	1.70	1.45	1.45	2	8.1	4.2	4.5	4.5	5.1	4.2	4.5	4.5	1.00	1.70	1.45	2

Specifications:

Spring material	Stainless steel
Tube material	Zinc-plated steel
Slider material	Brass

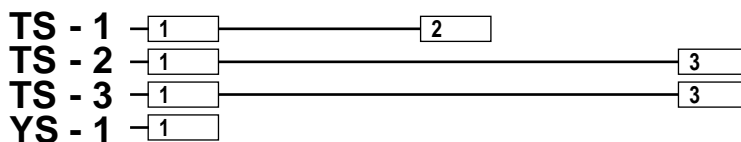


Fitting of suction cups:

To select the appropriate spring system according to the suction cup reference, see the installation diagrams. Pages 74 and 75.

Advantage of TS 120 LG:

The adjustment height is twice that of the standard spring system TS1 and its spring is protected.



1: Spring stroke	
05 - 10	For models
20 - 30	TS1 and YS1
10 - 30	For models
50 - 70	TS2 and TS3

2: Couplings for TS1	
D46	Straight 4x6
C46	Elbowed 4x6
T46	T 4x6

3: Couplings for TS2 and TS3	
D46	Straight 4x6
D68	Straight 6x8
C46	Elbowed 4x6
C68	Elbowed 6x8

Versions T46 and T68 are available on request for spring systems TS2 and TS3.